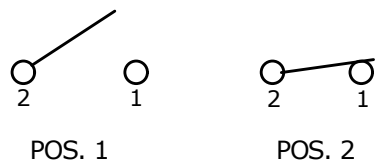
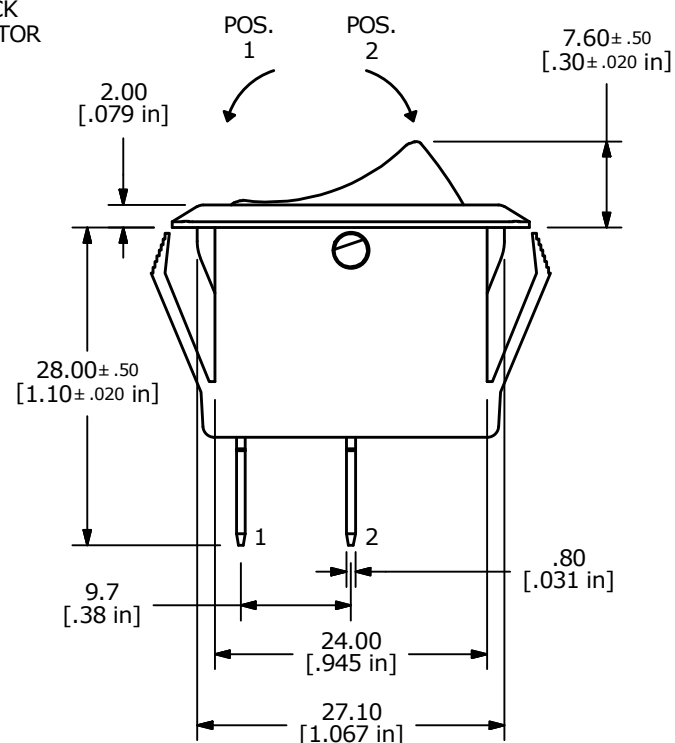
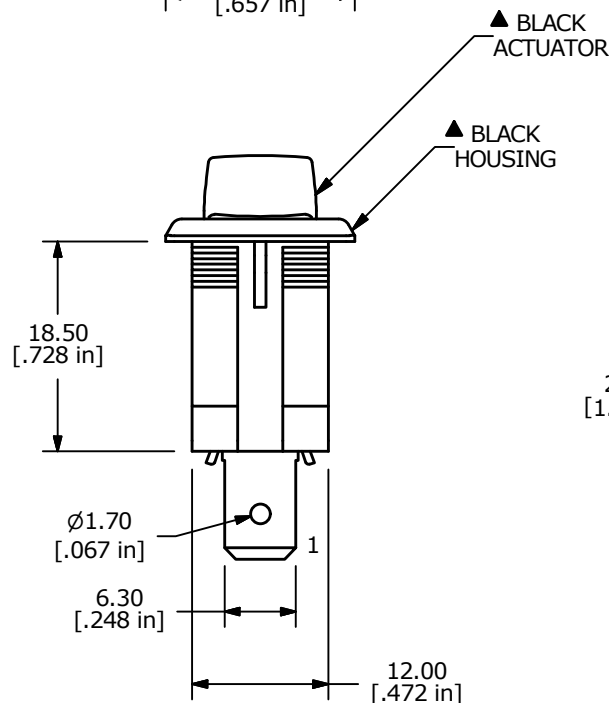
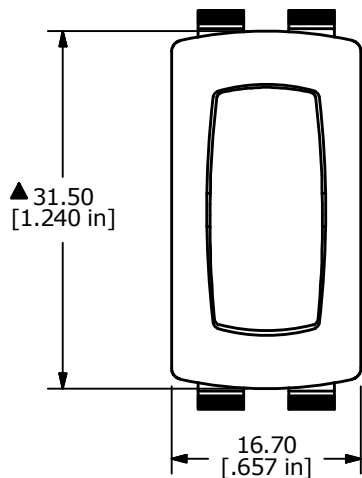


SUGGESTED PANEL CUTOUT



**CIRCUIT: SPST
OFF - ON**



NOTES:

1. ALL DIMENSIONS IN MM [INCH]
2. GENERAL TOLERANCE: X.X=±0.4
X.XX=±0.25
3. TERM. NOS. FOR REF. ONLY
- ▲ 4. RATING: 20A @ 125VAC [cURus]
16A @ 250VAC [cURus]
1/3HP 125/250VAC [cURus]
3/4HP 125/250VAC [cURus]
16(4)A @ 250V~ 1E4 T85 [ENEC, VDE]
20(8)A @ 250V~ 1E4 T125 [ENEC, VDE]
10(2)A @ 250V~ 5E4 T85 [ENEC, VDE]
5. MATERIAL:
CONTACT SURFACE: SILVER PLATED COPPER
CIRCUIT TERMINAL: BRASS ALLOY w/SILVER PLATE
6. ELECTRICAL LIFE: 10,000 CYCLES MIN.
7. CONTACT RESISTANCE: 20 mΩ MAX.
8. INSULATION RESISTANCE: 1,000 MΩ MIN. @ 500VDC
9. OPERATING TEMP: -20°C TO 65°C [cURus]
-20°C TO 105°C [cURus]
0°C TO 85°C [ENEC, VDE]
0°C TO 125°C [ENEC, VDE]
10. DIELECTRIC STRENGTH: >1,000V AC 1MIN
11. ▲ DENOTES CRITICAL PARAMETER.
12. 2011/65/EU (ROHS) COMPLIANT.



C	23173	UPDATED RATINGS	1/19/18	MJR
B	21527	UPDATE NOTED DIMENSIONS	7/28/14	EBP
REV	PCR NO	DESCRIPTION	DATE	BY

E-SWITCH®				
TITLE RSC241D1100				
SCALE	DATE	DR	DWG	REV
3:2	3/25/2013	EBP	14-RSC241D1100	C

THE INFORMATION CONTAINED IN THIS DOCUMENT IS PROPRIETARY TO E-SWITCH AND IS NOT TO BE COPIED OR TRANSFERRED